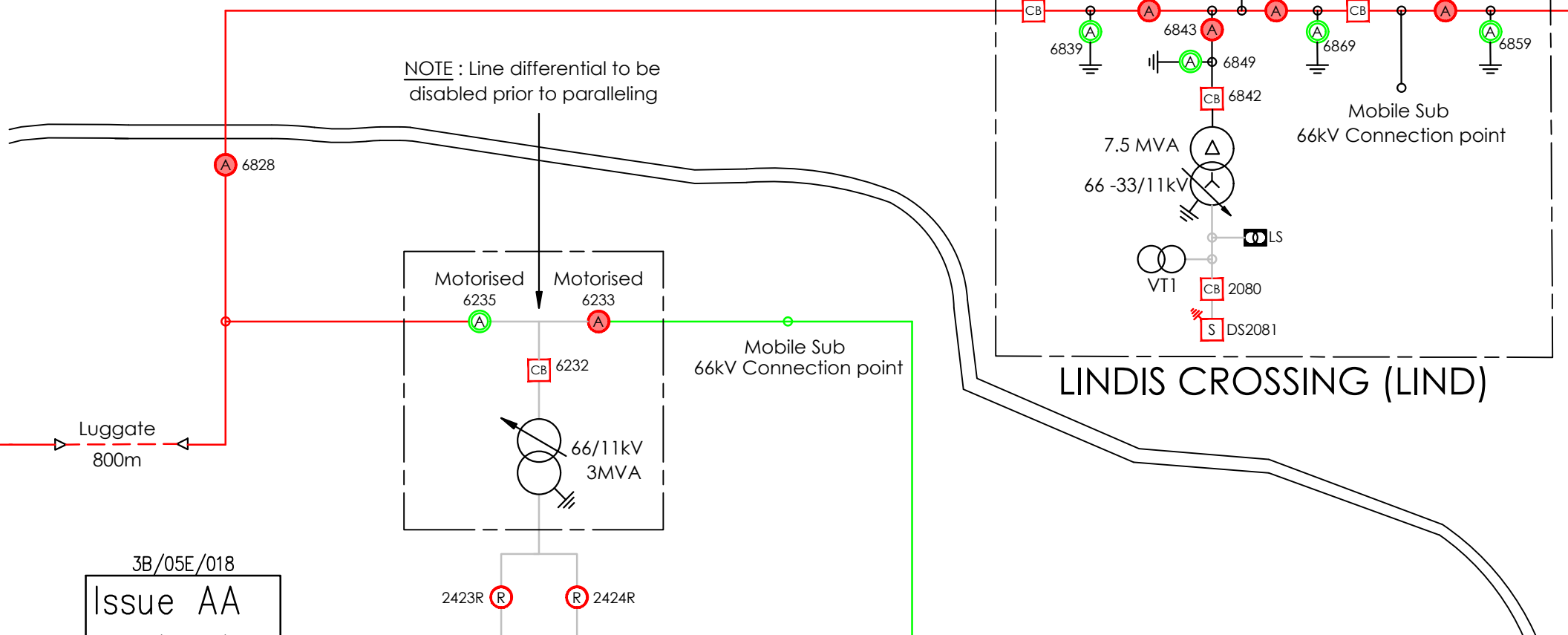


# CROMWELL 33/66kV

Upper Clutha No.2

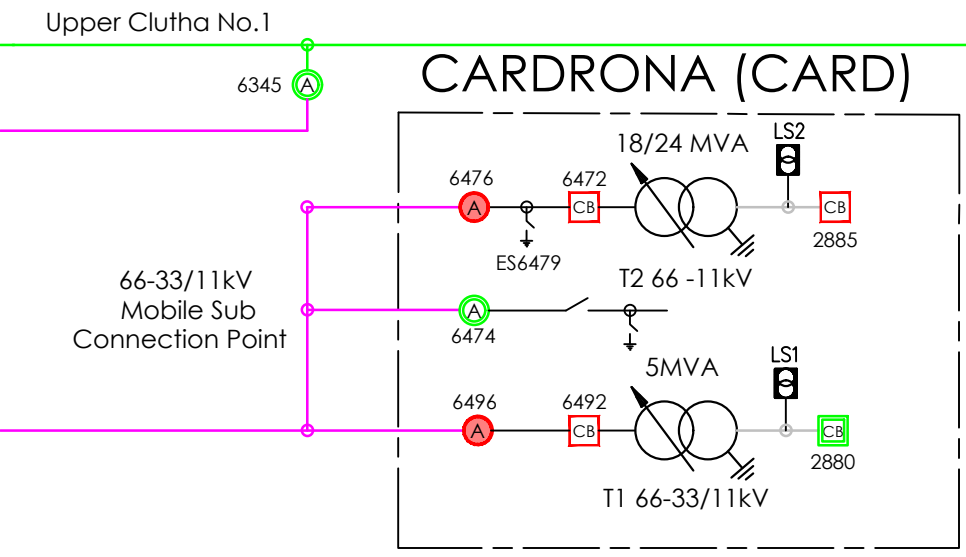
NOTE : Line differential to be disabled prior to paralleling



## LINDIS CROSSING (LIND)

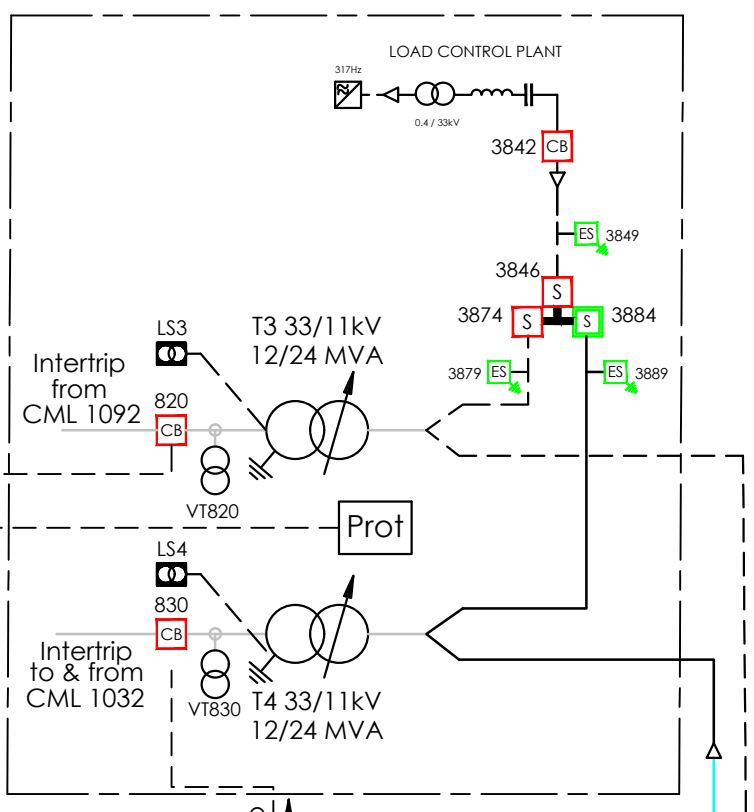
3B/05E/018  
Issue AA  
26/09/25  
BY CKD APPD  
MGB LMW DAT

## QUEENSBERRY (QBER)

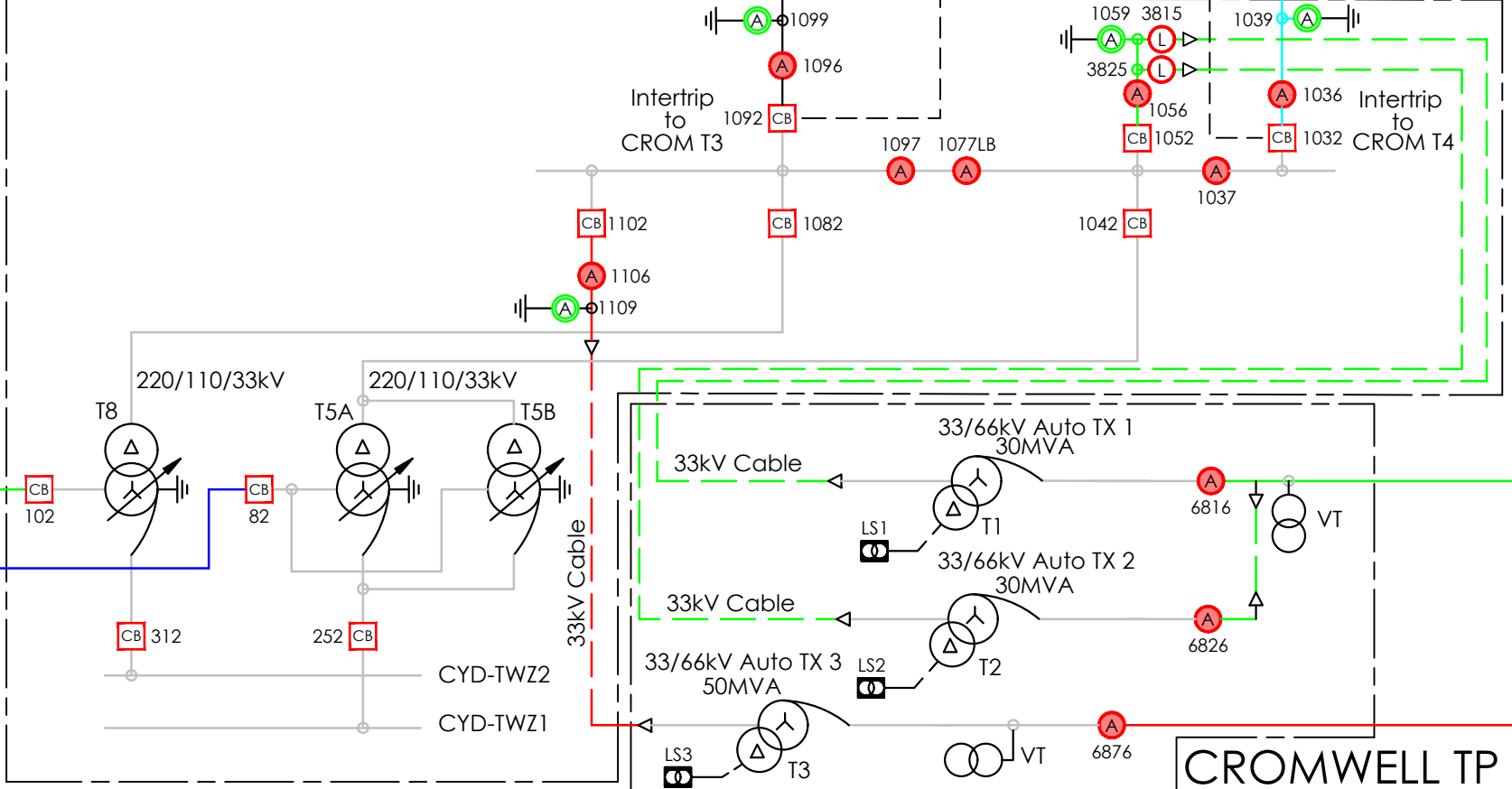


## CARDRONA (CARD)

## CROMWELL (CROM)



## TRANSPower CROMWELL (CML)



## CROMWELL TP (CMTP)

Upper Clutha No.2

Clutha River

to Frankton

33kV Cable

CYD-TWZ2  
CYD-TWZ1